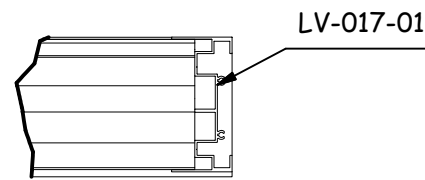
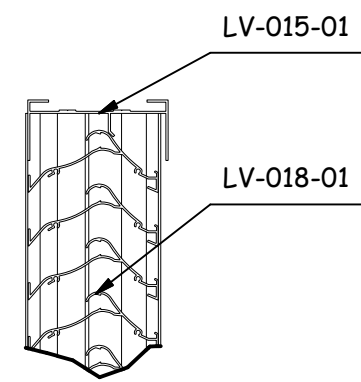


RRL-500H LOUVER PARTS LIST	
PART NUMBER	DESCRIPTION
LV-015-01	FRAME HEAD
LV-017-01	LOUVER JAMB
LV-016-01	LOUVER SILL
LV-018-01	LOUVER BLADE

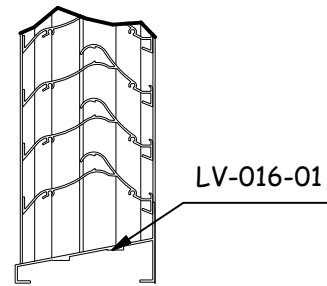
NO	DATE	REVISIONS	DESCRIPTION	BY



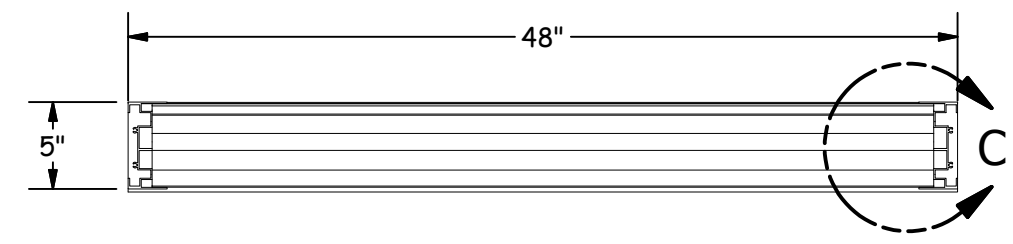
DETAIL C



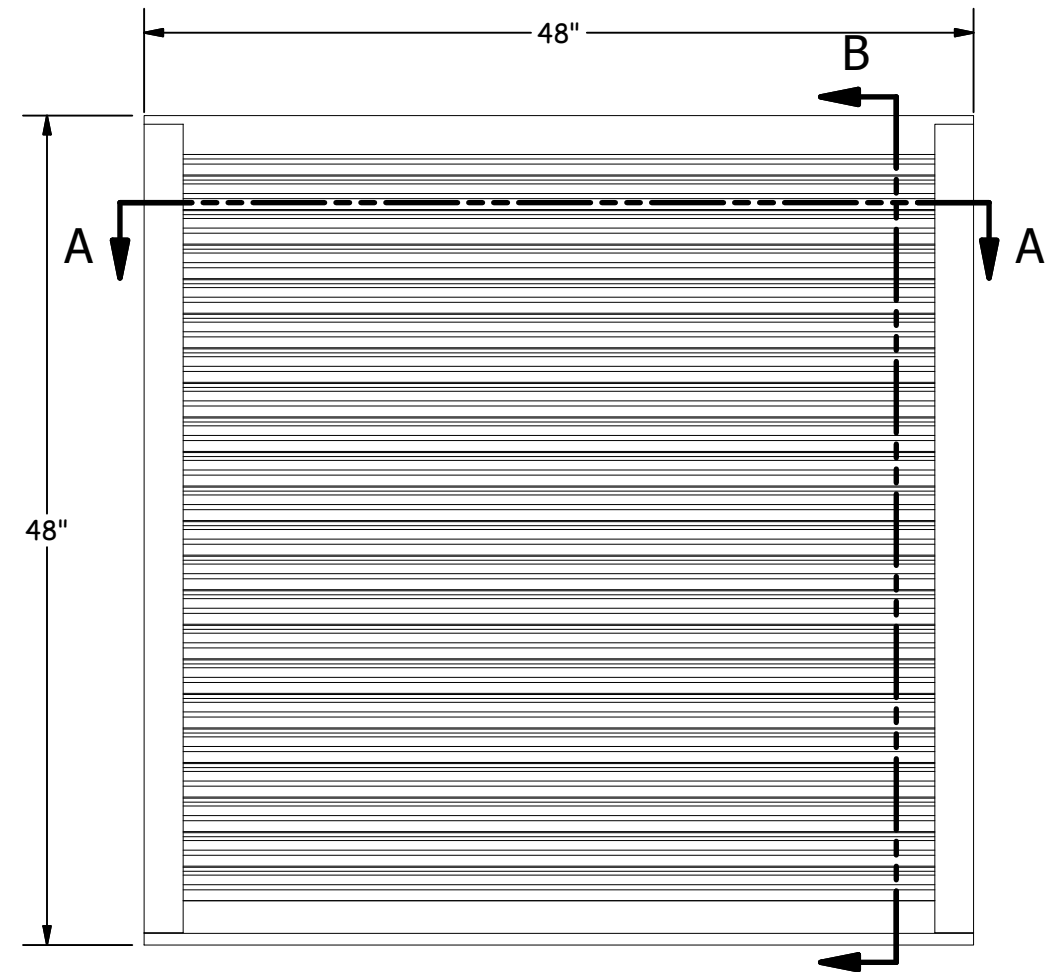
DETAIL D



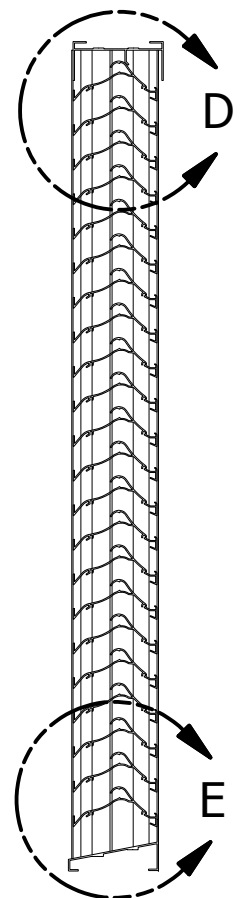
DETAIL E



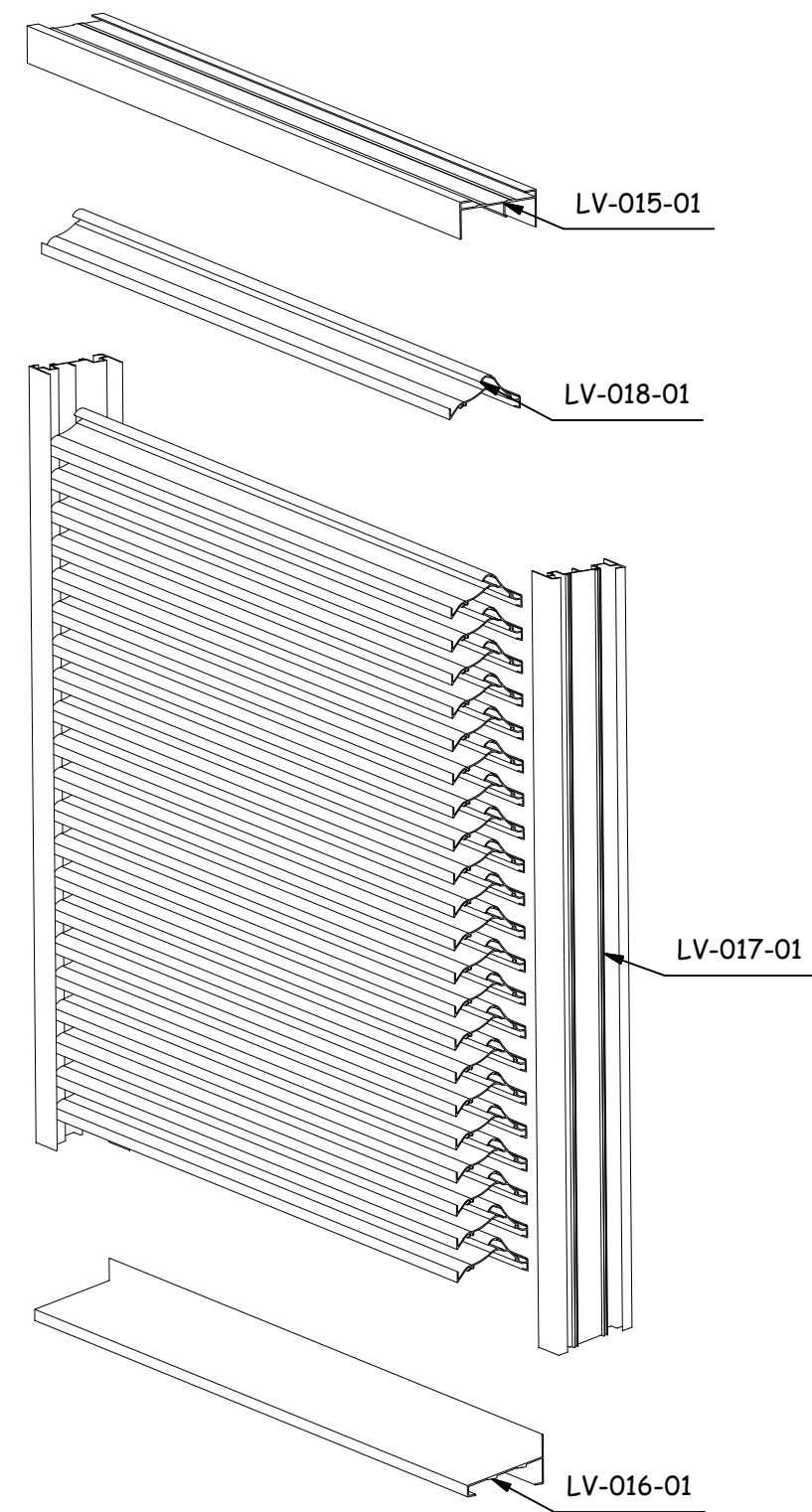
SECTION A-A



FRONT VIEW



SECTION B-B



ISOMETRIC

19031 ALDINE WESTFIELD RD.  
HOUSTON, TX 77073  
www.rangerarchitectural.com

**RANGER ARCHITECTURAL PRODUCTS**

**Model#:** RRL-500H  
**Description:** 5" RAIN - RESISTANT FIXED BLADE LOUVER

**DRAWN:** BV  
**CHECKED:** AM  
**SCALE:**  
**DATE:** 4/19/2020  
**REVISION:**  
**DETAIL SHEET:** RRL-500H