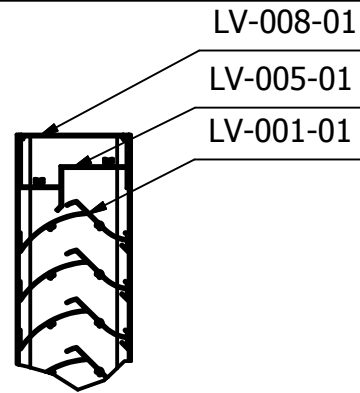
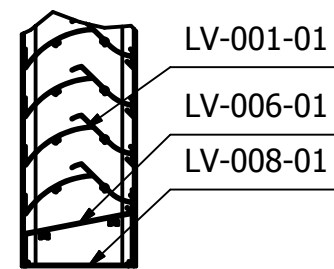


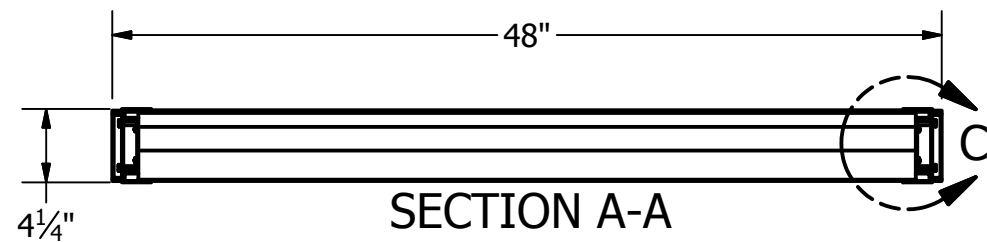
DETAIL C



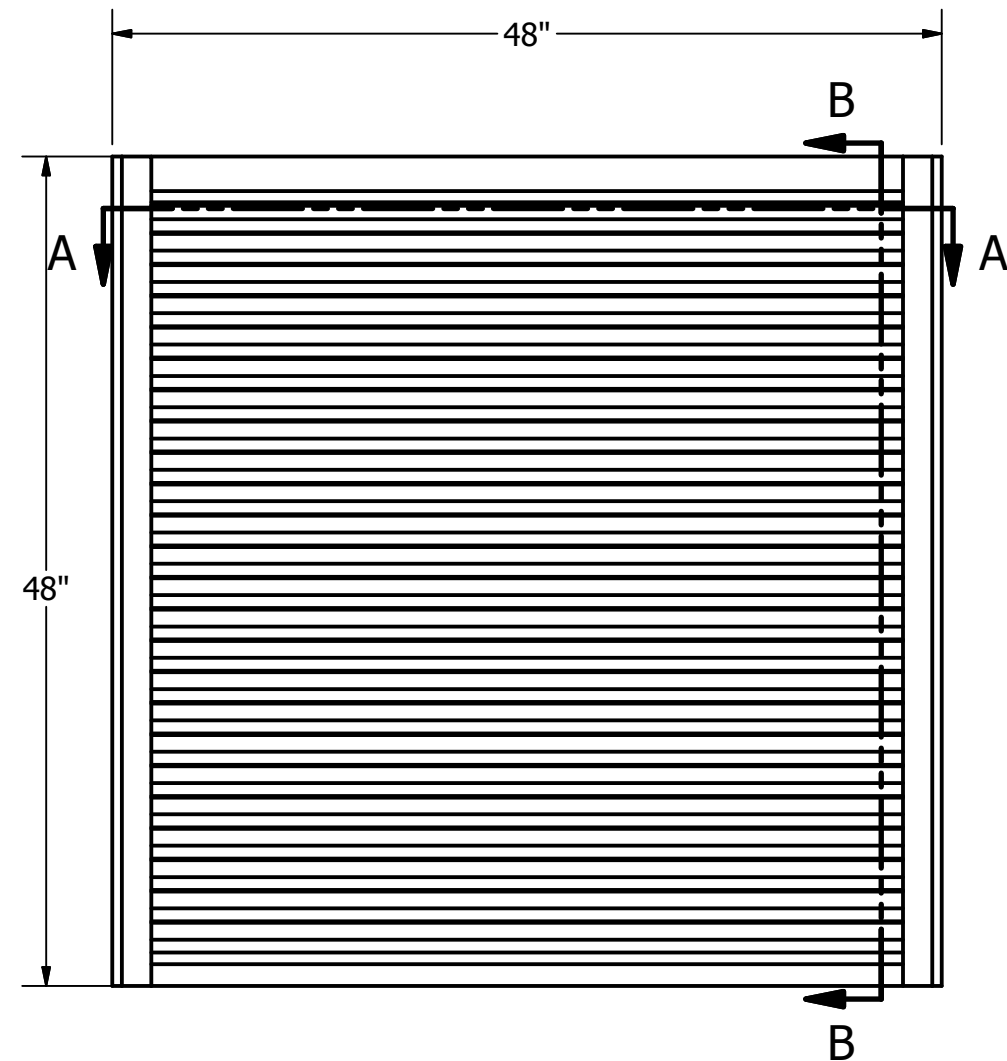
DETAIL D



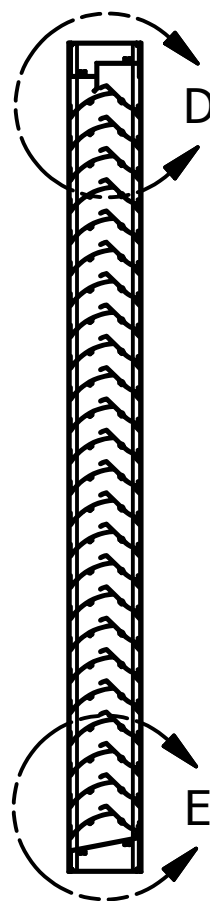
DETAIL E



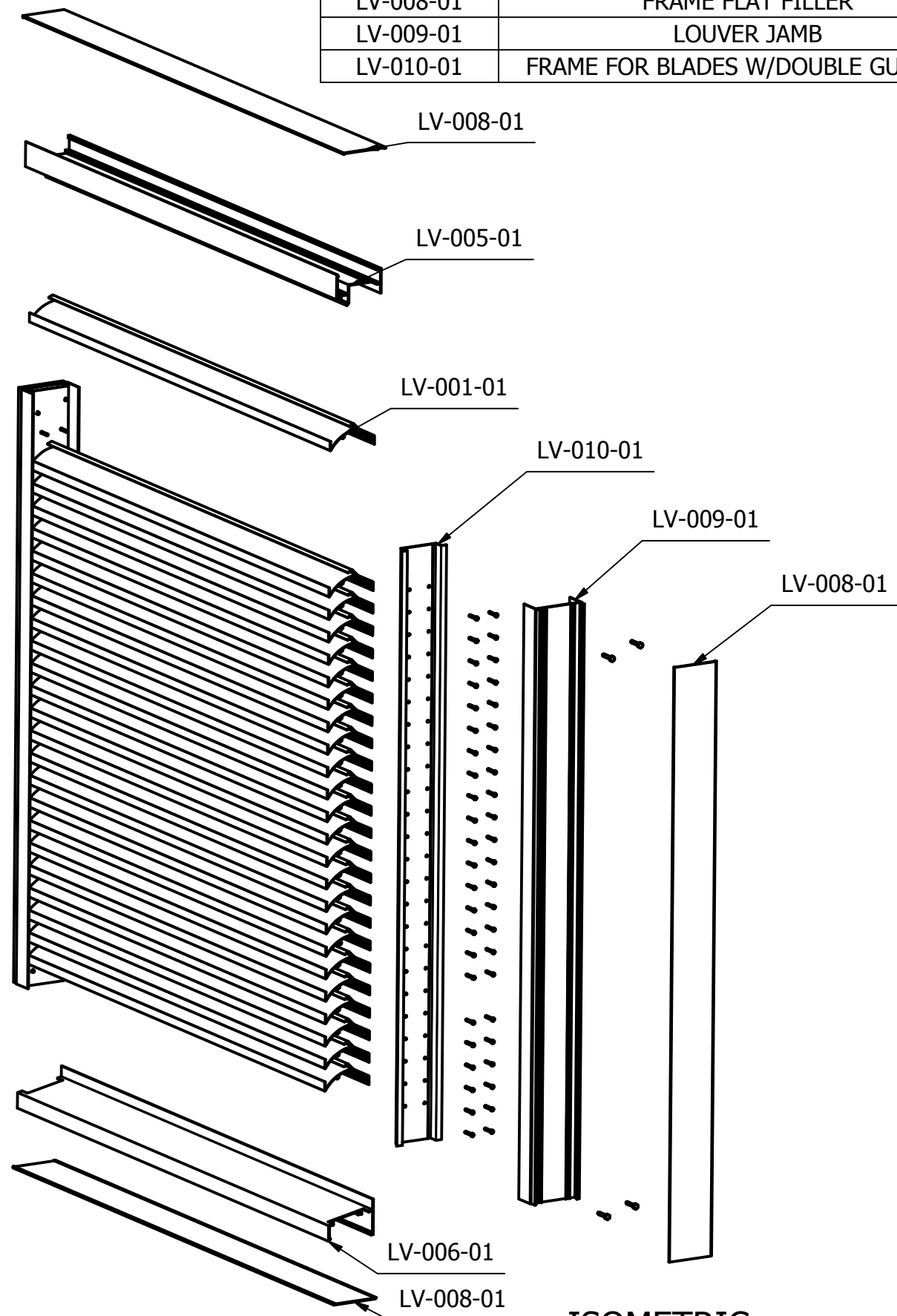
SECTION A-A



SECTION B-B



RRL-400H FIXED LOUVER PART LIST	
PART NUMBER	DESCRIPTION
LV-001-01	BLADE DOUBLE GUTTERS
LV-005-01	FRAME HEAD
LV-006-01	FRAME SILL
LV-008-01	FRAME FLAT FILLER
LV-009-01	LOUVER JAMB
LV-010-01	FRAME FOR BLADES W/DOUBLE GUTTERS



ISOMETRIC

NO	DATE	DESCRIPTION	BY

19031 ALDINE WESTFIELD RD.  
HOUSTON, TX 77073  
www.rangerarchitectural.com

**RANGER ARCHITECTURAL PRODUCTS**

**Model#:** RRL-400H  
**Description:** 4" RAIN-RESISTANT FIXED BLADE LOUVER

DRAWN:	BV
CHECKED:	AM
SCALE:	
DATE:	4/22/2020
REVISION:	3
DETAIL SHEET:	RRL-400H